

SONY

Hi-Fi Products
Service Bulletin

Sony Service Company - Technical Services
A Division of Sony Corporation of America
Sony Drive, Park Ridge, New Jersey 07656

Model: CDP-C100/C15ESD/C9ESD/C90ES/C900
/C910

No. 311

Subject: New Type Disc Magazine Will Not Eject

Date: December 31, 1992

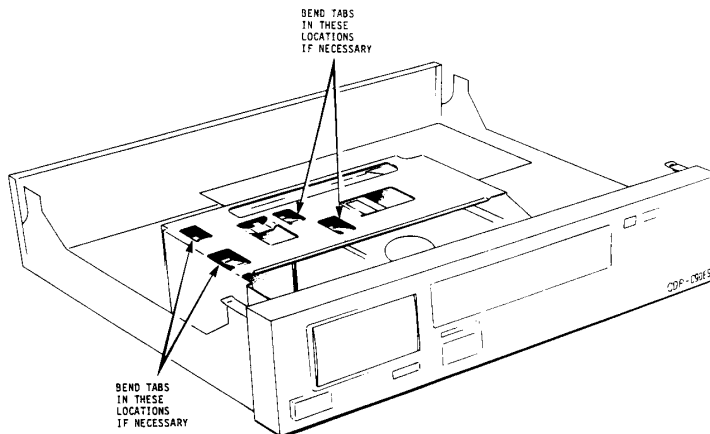
Symptom:
(62)

The new type XA-10B disc magazine will not eject from the unit consistently.

Solution:

Since the new type XA-10B disc magazine has a slightly higher profile, you must bend the tabs on the mechanism housing (see drawing) which are located just above where the cartridge is inserted into the machine to provide clearance.

Note: Bend tabs to the point where the disc magazine will consistently eject from the unit.



CSA-13 CD Player